

감속기 부착 시 최대허용토크

Motor Model	Gearbox Model	회전속도 r/min	전압 V	주파수 Hz	감속비	2	3	3.6	5	6	7.5	9	10	12.5	15	18	20	25	30
9SDG* -40P	9PBK □ BH 9PFK □ BH	1200	110	60	kgfcm	4.4	6.6	7.9	10.9	13.1	16.4	19.7	21.9	24.6	29.6	35.5	39.4	44.6	53.5
					N,m	0.43	0.64	0.77	1.07	1.29	1.61	1.93	2.14	2.41	2.90	3.48	3.86	4.37	5.24
					kgfcm	4.4	6.6	7.9	10.9	13.1	16.4	19.7	21.9	24.6	29.6	35.5	39.4	44.6	53.5
		N,m	0.43	0.64	0.77	1.07	1.29	1.61	1.93	2.14	2.41	2.90	3.48	3.86	4.37	5.24			
		220/240	50	kgfcm	4.1	6.1	7.3	10.1	12.2	15.2	18.2	20.3	22.8	27.4	32.9	36.5	41.3	49.5	
		N,m	0.40	0.60	0.71	0.99	1.19	1.49	1.79	1.98	2.24	2.68	3.22	3.58	4.04	4.85			
90	110	60	kgfcm	1.3	1.9	2.3	3.2	3.9	4.9	5.8	6.5	7.3	8.8	10.5	11.7	13.2	15.8		
			N,m	0.13	0.19	0.23	0.32	0.38	0.48	0.57	0.64	0.72	0.86	1.03	1.14	1.29	1.55		
			kgfcm	1.3	1.9	2.3	3.2	3.9	4.9	5.8	6.5	7.3	8.8	10.5	11.7	13.2	15.8		
N,m	0.13	0.19	0.23	0.32	0.38	0.48	0.57	0.64	0.72	0.86	1.03	1.14	1.29	1.55					
220/240	50	kgfcm	1.1	1.7	2.0	2.8	3.4	4.3	5.1	5.7	6.4	7.7	9.2	10.2	11.6	13.9			
N,m	0.11	0.17	0.20	0.28	0.33	0.42	0.50	0.56	0.63	0.75	0.90	1.00	1.13	1.36					

Motor Model	Gearbox Model	회전속도 r/min	전압 V	주파수 Hz	감속비	36	40	50	60	75	90	100	120	150	180	200
9SDG* -40P	9PBK □ BH 9PFK □ BH	1200	110	60	kgfcm	64.2	71.3	89.1	106.9	119.5	143.4	159.3	191.2	200.0	200.0	200.0
					N,m	6.29	6.99	8.73	10.48	11.71	14.05	15.61	18.73	19.60	19.60	19.60
					kgfcm	64.2	71.3	89.1	106.9	119.5	143.4	159.3	191.2	200.0	200.0	200.0
		N,m	6.29	6.99	8.73	10.48	11.71	14.05	15.61	18.73	19.60	19.60	19.60			
		220/240	50	kgfcm	59.4	66.0	82.5	99.0	110.6	132.8	147.5	177.0	200.0	200.0	200.0	
		N,m	5.82	6.47	8.09	9.70	10.84	13.01	14.46	17.35	19.60	19.60	19.60			
90	110	60	kgfcm	19.0	21.1	26.4	31.7	35.4	42.5	47.2	56.6	70.8	85.0	94.4		
			N,m	1.86	2.07	2.59	3.10	3.47	4.16	4.63	5.55	6.94	8.33	9.25		
			kgfcm	19.0	21.1	26.4	31.7	35.4	42.5	47.2	56.6	70.8	85.0	94.4		
N,m	1.86	2.07	2.59	3.10	3.47	4.16	4.63	5.55	6.94	8.33	9.25					
220/240	50	kgfcm	16.6	18.5	23.1	27.7	31.0	37.2	41.3	49.6	62.0	74.3	82.6			
N,m	1.63	1.81	2.26	2.72	3.04	3.64	4.05	4.86	6.07	7.29	8.09					

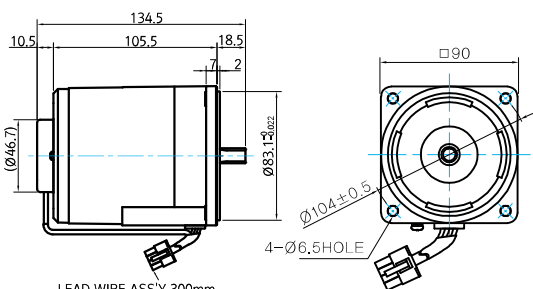
Motor Model	Gearbox Model	회전속도 r/min	전압 V	주파수 Hz	감속비	10	12	15	18	25	30	36	50	60
9SDG* -40W	9WD □ BL/□ BR/□ BRL	1200	110	60	kgfcm	22.1	25.9	31.2	36.0	47.3	53.5	62.2	81.0	89.1
					N,m	2.17	2.54	3.06	3.52	4.63	5.24	6.10	7.94	8.73
					kgfcm	22.4	26.9	33.6	40.3	56.0	67.2	80.7	112.1	122.4
		N,m	2.20	2.64	3.29	3.95	5.49	6.59	7.91	10.98	12.00			
		220/240	50	kgfcm	24.6	28.8	34.7	40.0	52.5	59.4	69.1	90.0	99.0	
		N,m	2.41	2.82	3.40	3.92	5.15	5.82	6.77	8.82	9.70			
90	110	60	kgfcm	6.6	7.7	9.2	10.7	14.0	15.8	18.4	24.0	26.4		
			N,m	0.64	0.75	0.91	1.04	1.37	1.55	1.81	2.35	2.59		
			kgfcm	6.6	7.7	9.2	10.7	14.0	15.8	18.4	24.0	26.4		
N,m	0.64	0.75	0.91	1.04	1.37	1.55	1.81	2.35	2.59					
220/240	50	kgfcm	5.9	6.9	8.3	9.6	12.6	14.3	16.6	21.6	23.8			
N,m	0.58	0.68	0.81	0.94	1.23	1.40	1.63	2.12	2.33					

- 1) 모터 모델명 * 자리에는 전압코드가 들어갑니다. 2) 감속기 모델명 □ 안에는 감속비가 들어갑니다.
- 3) 위의 표에서 선택된 범위의 감속비를 선택했을 때 감속기의 출력축은 모터의 출력축과 같은 방향으로 회전합니다. 흰색 바탕 범위의 감속비에서는 감속기 출력축은 모터 출력축의 회전방향과 반대방향으로 회전합니다.

Dimensions

MOTOR ONLY

● MOTOR MODEL: 9SD□□-40(NO FAN)



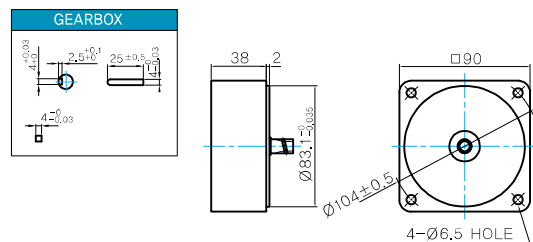
LEAD WIRE ASS'Y 300mm
MOTOR UL STYLE NO.3271 AWG NO.20
T.G UL STYLE NO. 1007 AWG NO.22

MOTOR OUTPUT SHAFT

MODEL	SPEC
D-CUT TYPE	
9SD□□-40	
KEY TYPE	
9SDK□□-40	

중간감속기

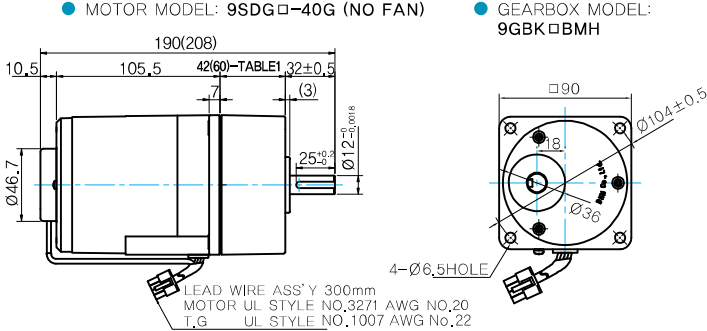
● MODEL: 9XD10□□



S.C. Induction Motor 40W (□ 90mm)

GEARED MOTOR

G TYPE GEARBOX



GEARBOX OUTPUT SHAFT

MODEL	SPEC
KEY TYPE	
9GBK□BMH	

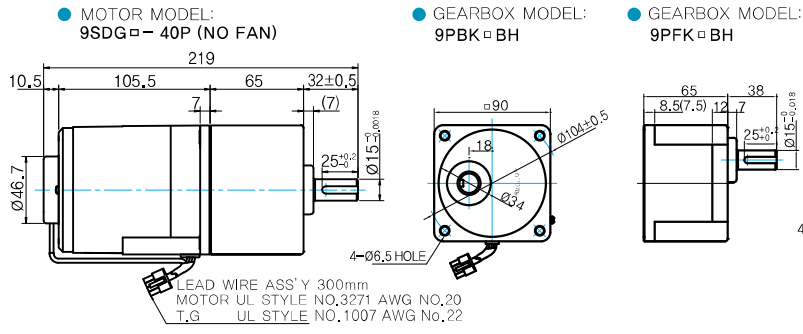
KEY SPEC

GEARBOX

42(60)-Table1

SIZE(mm)	GEAR RATIO
42	9GBK2BMH - 9GBK18BMH
60	9GBK20BMH - 9GBK200BMH

P TYPE GEARBOX



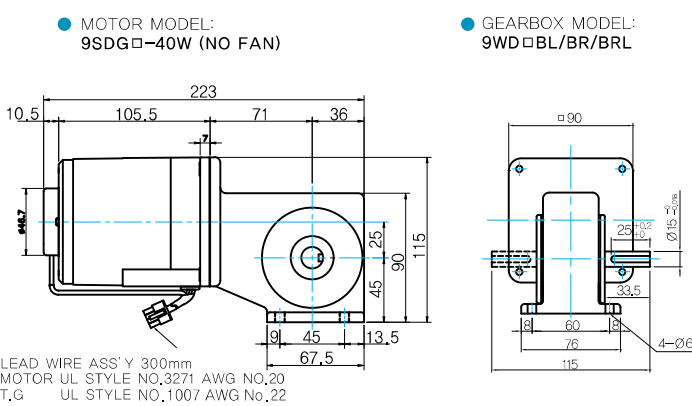
GEARBOX OUTPUT SHAFT

MODEL	SPEC
D-CUT TYPE	
9PBK□BH 9PFK□BH	

KEY SPEC

GEARBOX

W TYPE GEARBOX



KEY SPEC

GEARBOX

WEIGHT

PART	WEIGHT(kg)	
MOTOR	2.55	
GEAR BOX	9GBK2BMH - 9GBK18BMH	0.78
	9GBK20BMH - 9GBK40BMH	1.10
	9GBK50BMH - 9GBK200BMH	1.20
	9PB(F)K2BH - 9PB(F)K10BH	1.28
	9PB(F)K12.5BH - 9PB(F)K20BH	1.30
	9PB(F)K25BH - 9PB(F)K60BH	1.45
	9PB(F)K75BH - 9PB(F)K200BH	1.47
	9WD□BL/BR/BRL	1.00
	9XD10□□	0.60

*출력 FLANGE와 SHAFT는 별매입니다.

Motor Images

