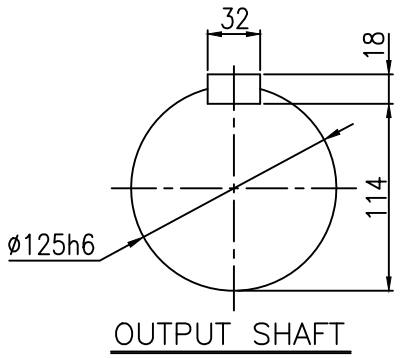
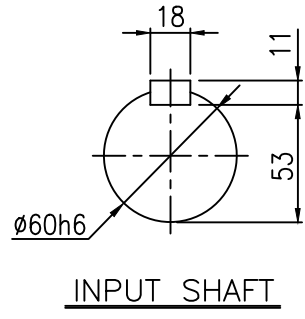
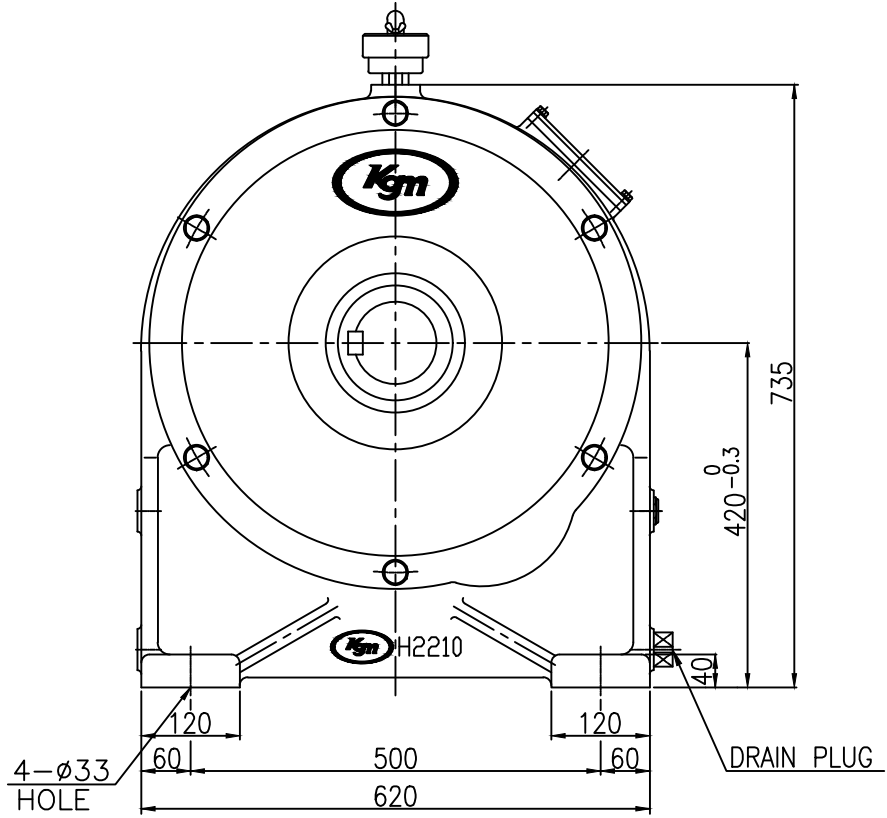
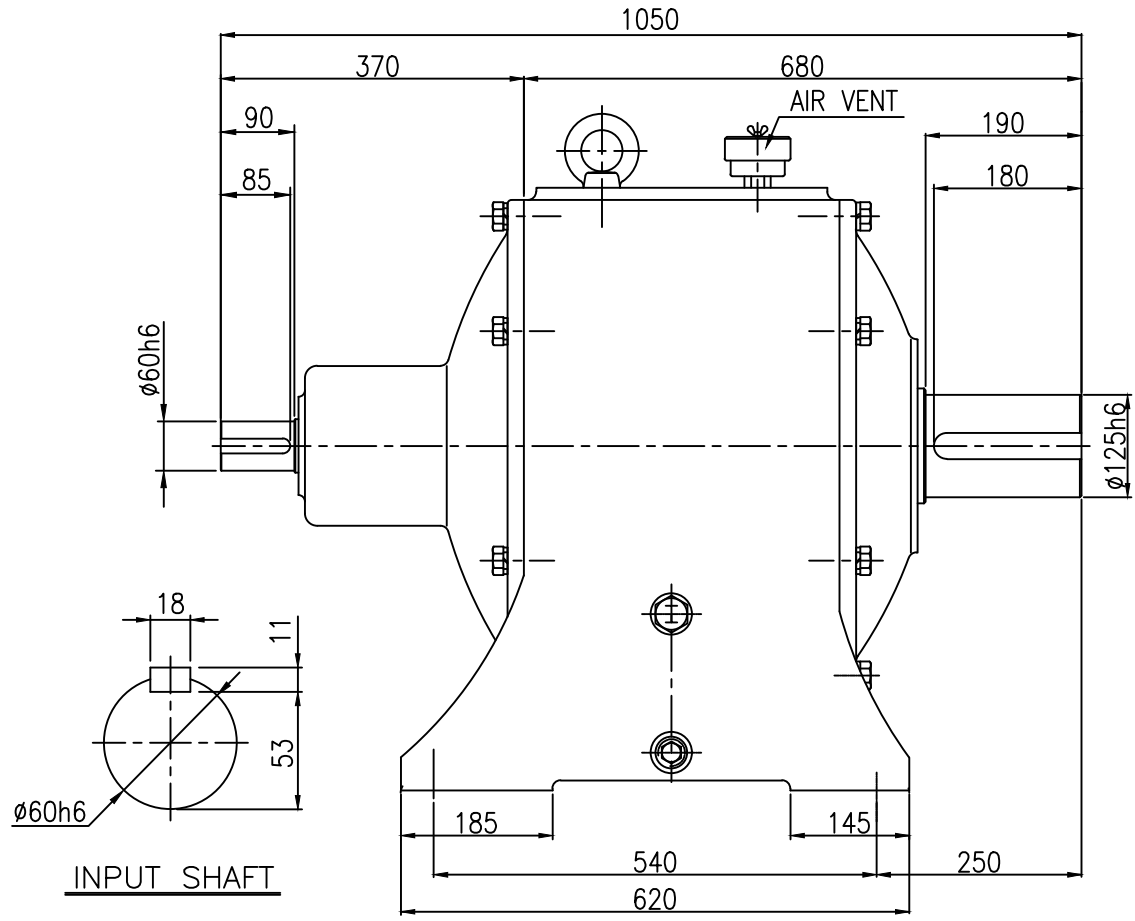


NO.	REVISION	DATE	DESIGNED	CHECKED	APPROVED
△					
△					



KD-HL H4202	CAPACITY(Kw)	37kw4P			30kw6P		
	REDUCTION RATIO	1/10	1/15	1/20	1/10	1/15	1/20
	OUTPUT R.P.M	180	120	90	120	80	60
	WEIGHT (Kg)	500					

TOOTH CHAMFERING	MODULE			5	5-15	15	표기외 일반 공차
	C1	C2	C2				
HQ. T	0.2	0.5	1.0				각도 : ±0.2°    6 - 30 : ±0.1
	1.0	1.5	2.0				CHAMFER: C1.0    30 - 120 : ±0.15
	0.5	1.0	2.0				FILLET: R1.0    120 - 315 : ±0.2
HC & HQ. I	2.0	3.0	5.0	M<8(R0.1-1M)	M=8-15(R0.3M)	M>15(R0.3M)	마무리: ▽    315 - 1000 : ±0.3
							1000 이상 : ±0.5

OUT LINE DWG					
No.	DESCRIPTION	SPECIFICATION	MAT'L	Q'TY	W/T
TITLE SPEC.	KD-HL LINE POWER 37KW 4P I=1/10~1/20 OUTLINE DIMENSION		CUSTOMER KD-HL H4202 STANDARD TYPE		
DRAWN	KSS	SCALE	1 / 1	UNIT	mm
DESIGN		DATE	2018.09.07	PROJECTION	☉ ≡
CHECKED		REF. No.	KD-HL H4202	REV	△
ARRROVED		DRAWING No.	KDHL-H4202-00-10~20-0D	No.	

- M5\*0.8
- M6\* 1
- M8\*1.25
- M10\*1.5
- M12\*1.75
- M16\* 2
- M18\*2.5
- M20\*2.5
- M22\*2.5
- M24\*3